



匯統國際股份有限公司
Huey Tung International Co., Ltd.

產品規格書 Specification

[Model : HT-8187 / 2015.06.12 version]



Cara Audio Corporation

No.69, Lane 762, Dingzhong Road, Sanmin District, Kaohsiung City, Taiwan, ROC.


Tel: 886-7-310 5786 / Fax: 886-7-310 0783

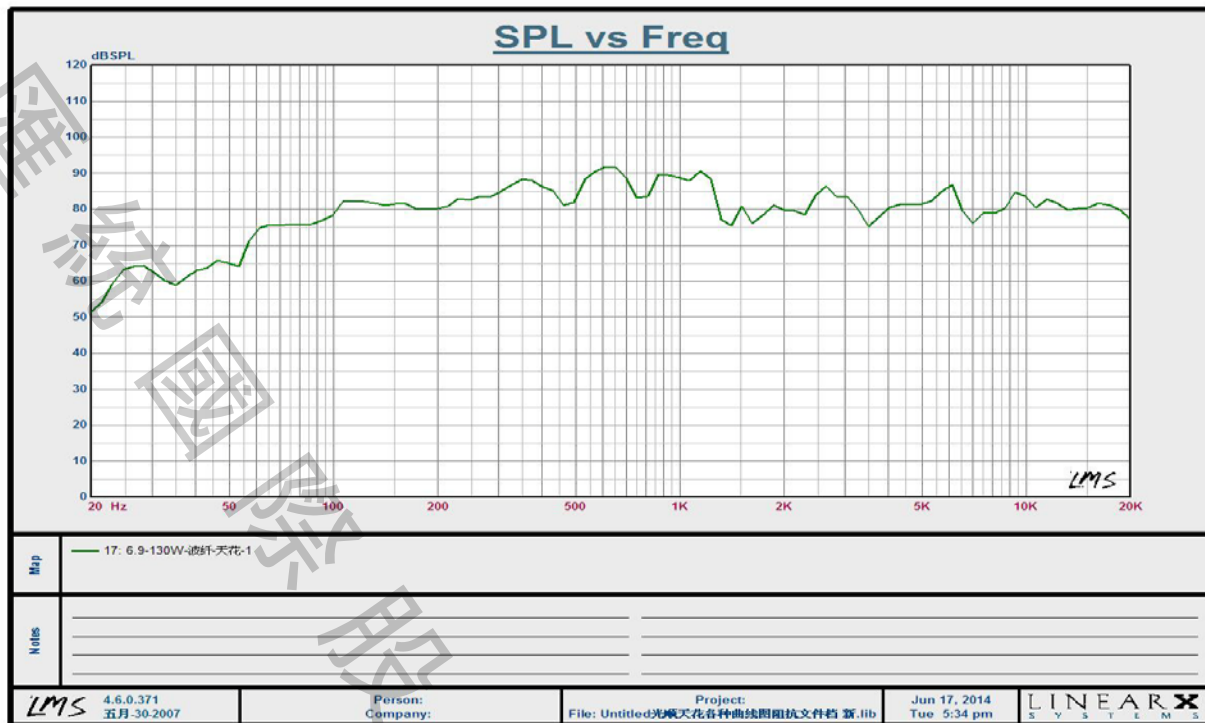
E-mail: carawang@hueytung.com.tw / <http://www.hueytung.com.tw>

揚聲器製品規格書

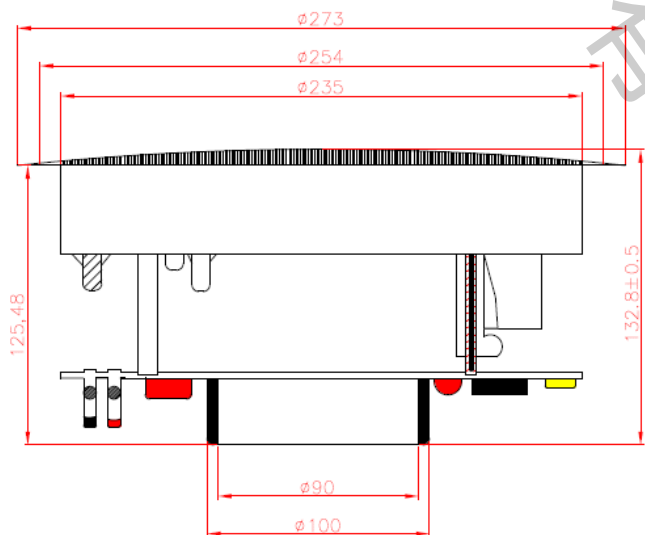
SPEAKER SPECIFICATION

型號 Model Number: HT-8187

項目 Items		規格 Specification		
1	公称阻抗 Nominal Impedance	6Ω±15%		
2	最低共振周波数 Lowest Resonance Frequency	88Hz±20% Without a baffle		
3	实效周波数带域 Effective Frequency Range	F20Hz~20KHz -10dB		
4	出力音压 Output Sound Pressure Level	89dB±3dB by 2.45V at100cm (600,700,800,900)Hz AVE.		
5	入力 Input	定格入力 Rated input	最大入力 Maximum input	
		50 W	W	
6	磁束密度 Flux Density	-----±10% GAUSS		
7	异常音试验电压 Buzz & Rattle Test	NO CRITICAL BUZZ WITH 8.5 V. SINE WAVE SIGNAL AT RANGE 20Hz~20KHz THROUGH - mH FILTER TO HEAR AT OVER 0.3M		
8	动作试验电压 Operation Test	Must be normal at program source		
9	极性 Polarity	/		
10	磁石尺寸/重量 Magnet Dimension/Weigh	Magnet:	G	
		TW:Φ24.5mm*3.5mmt N38 WF:Φ100mm*45mm*20mmt Y30		
11	连续负荷试验 Life Test	50W 17.3V EIA RS-426-B NOISE 8Hr THROUGH	After the Test, Speaker should be meet the Outside and item 7,8	
12	耐热试验 Heat Resistance	70°C±2°C 20%-50%RH 24Hours and then room temperature 1 hours		
13	耐湿试验 Humidity Resistance	40°C±2°C 90%-95%RH 48Hours and then room temperature 1 hours		
14	耐寒试验 Cold Resistance	/		
15	落下试验 Drop Test	1M 75°±2°		
16	绝缘耐压试验 Insulation Resistance	Or more 1MΩ 以上		
17	周波数特性 Frequency Response Curve	参照附图 On Other Drawing		
18	失真率 Distortion	/		
19	各部 材质	Cone Paper	TW: Silk WF: PP + Rubber	
		Voice Coil		
		Cap	/	
20	总重量 Total Weight	2285g (80.59 OZ)		
	Size: 200mm 試作發行: 2015. 06. 12	Approve: Arthur	Check: Chen	Design: LIU



成品圖及照片 Mechanical Dimensions : HT-8187



Tolerance: 0.5
Unit: mm